



XY-218S

XY Series

Dual 18-inch bass reflex Subwoofer

A versatile PA/monitor speaker series that is compact in size and perfect for near-field monitoring - yet can deliver high-quality sound to the corners of the room.

KEY FEATURES

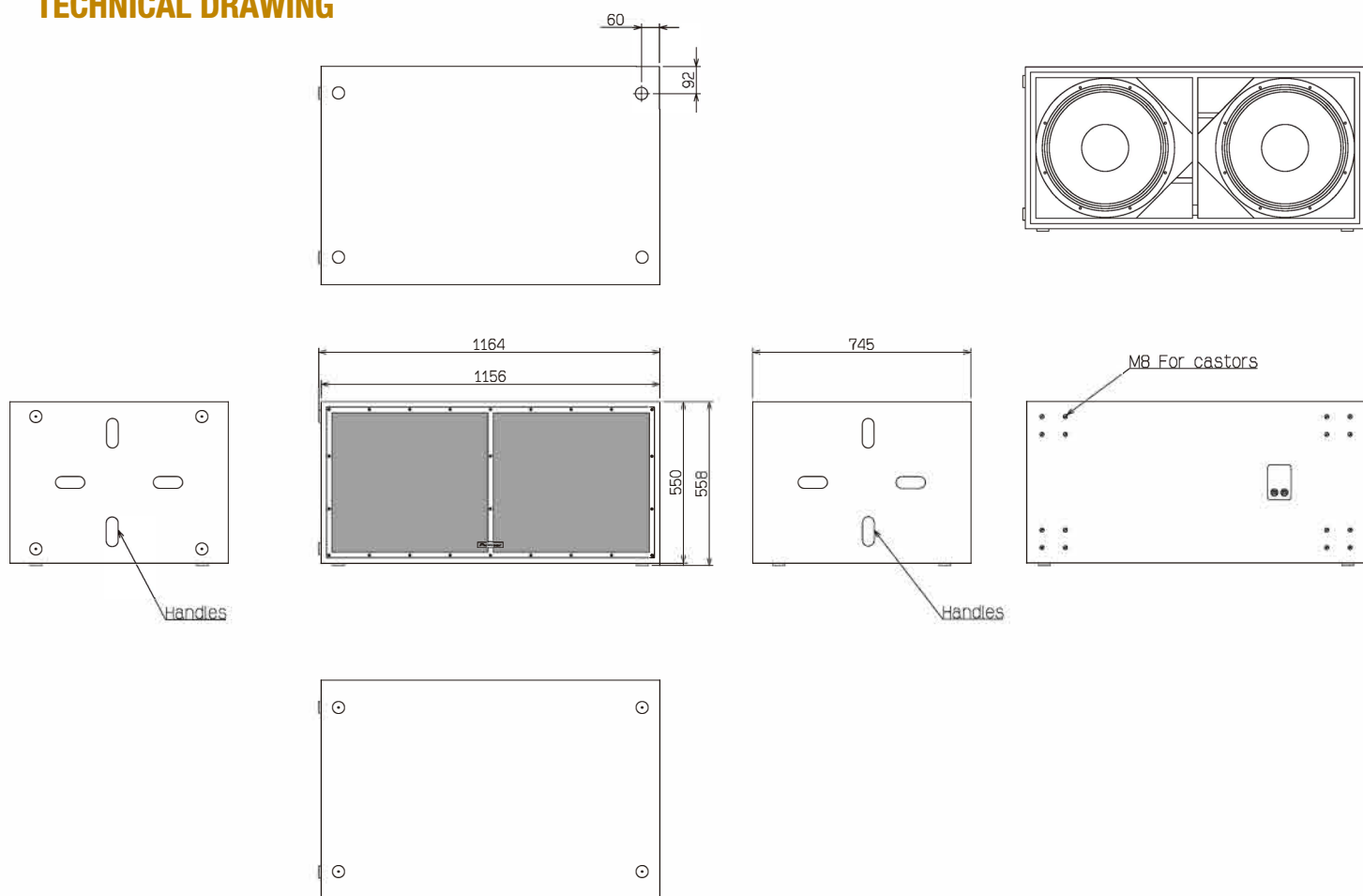
- High-power subwoofer with two 18-inch, low-frequency driver.
- Capable of reproducing deep bass as low as 32 Hz without distortion.
- Strong pillars installed in the cabinet ensure rigidity against the most powerful bass.
- Requires an active crossover to set the necessary frequency range (presets can be provided from Pioneer for combinations using the Pioneer XY-152 and XY-122).
- NL4 INPUT and LINK OUT connections as standard.
- Robust enclosure made from premium multi-laminate birch plywood.

SPECIFICATIONS (PRELIMINARY DATA)

Enclosure type	Dual driver, reflex-loaded subwoofer
Frequency response	32 Hz to 150 Hz
Sensitivity (1 W/1 m)	102 dB (half space)
Nominal Impedance	4 Ω
Power Handling	1600 W RMS, 3200 W Program
Maximum SPL	134 dB cont., 140 dB peak (half space)
Driver Configuration	2 × 18 inch (460 mm) LF cone drivers
Connectors	2 × Neutrik SpeakON™ NL4
Dimensions (W × H × D)	1164 mm × 558 mm × 745 mm (45.8 inch × 22 inch × 29.3 inch)
Weight	93 kg (205 lb)
Rigging and Hardware	8 × flush handles (4 left/4 right), 8 × rubber feet (bottom and left) and 4 × mating recesses (top), 16 × M8 holes with pre-inserted bolts for 4 × castors on rear
Grille	Hex punched steel
Enclosure	18 mm (0.7 inch) birch plywood
Finish	Impact-resistant, Black semi-matt textured
Suggested Power Amplifier	Recommended : K6DSP

XY-218S

TECHNICAL DRAWING



APPLICATION

Clubs / Bars / Hotels / Touring

ACCESSORIES



CP-XYCS1



XY-218S-W

WWW.PIONEERPROAUDIO.COM

AlphaTheta EMEA Limited Artemis Building, Odyssey Business Park, West End Road, South Ruislip, Middlesex, HA4 6QE, UK
AlphaTheta Music Americas, Inc 2050 W 190th Street, Suite #109, Torrance, CA 90504, USA
AlphaTheta Corporation 6F, Yokohama i-Mark Place, 4-4-5 Minatomirai, Nishi-ku, Yokohama, Kanagawa 220-0012 Japan

Features and specifications of the products described or illustrated in this specification sheet are correct at the time of printing but could change as production changes might occur. This specification sheet may contain typographical errors and the colours of the depicted products may deviate slightly from reality. Consult your Pioneer dealer to ensure that actual features and specifications match your requirements. This specification sheet may contain references to products that may or will not be available in your country.